



## DM-8160-TI / Engine Dynamometer



Example Model Shown  
(Image may not depict all standard  
included components)

## DM-8160-TI Eddy Current Dynamometer

### Specifications

Power:	650 hp (485 kW)
Max Torque at Base Speed:	3,283 lb-ft (4,450 Nm)
Base Speed:	1,040 rpm
Max. Speed:	4,000 rpm
Construction Type:	Dry Gap
Rotor Inertia:	183 lb-ft <sup>2</sup> (7.71 kg-m <sup>2</sup> )
Coolant Required at Max. Power:	65 gpm (246 lpm)
Coolant Inlet (Min-Max):	70-100 psi (483-689 kPa)
Coolant Inlet Temperature Max:	90°F (32.2°C)
Shipping Weight (estimate):	7,000 lb (3,175 kg)
Companion Flange / Hub Pattern:	1810 - US Customary
Coil Voltage / Hot Amperage:	90V / 9.85 amps

### Recommended Accessories

- Driveshaft - 1810
- Torsional Coupling - 1810
- Flywheel Adapter Plate Kit
- Driveshaft Guard
- Sub-Base Kit
- Engine Cart
- Air or Electric Starter
- Engine Cooling Column
- Charge Air Cooler
- Water Recirculating System

***Everything you need to succeed***

# Optional Accessories



Optional Manual Shaft Lock



Optional Closed Loop Cooling Center



Optional Charge Air Cooler



Optional Driveshaft Guard



Optional Engine Cart

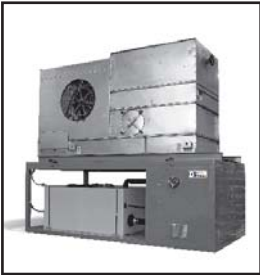
# Various Facility Support Systems and Services Available



Bulk Fuel Storage and Distribution



Coolant Storage and Distribution



Water Recirculation

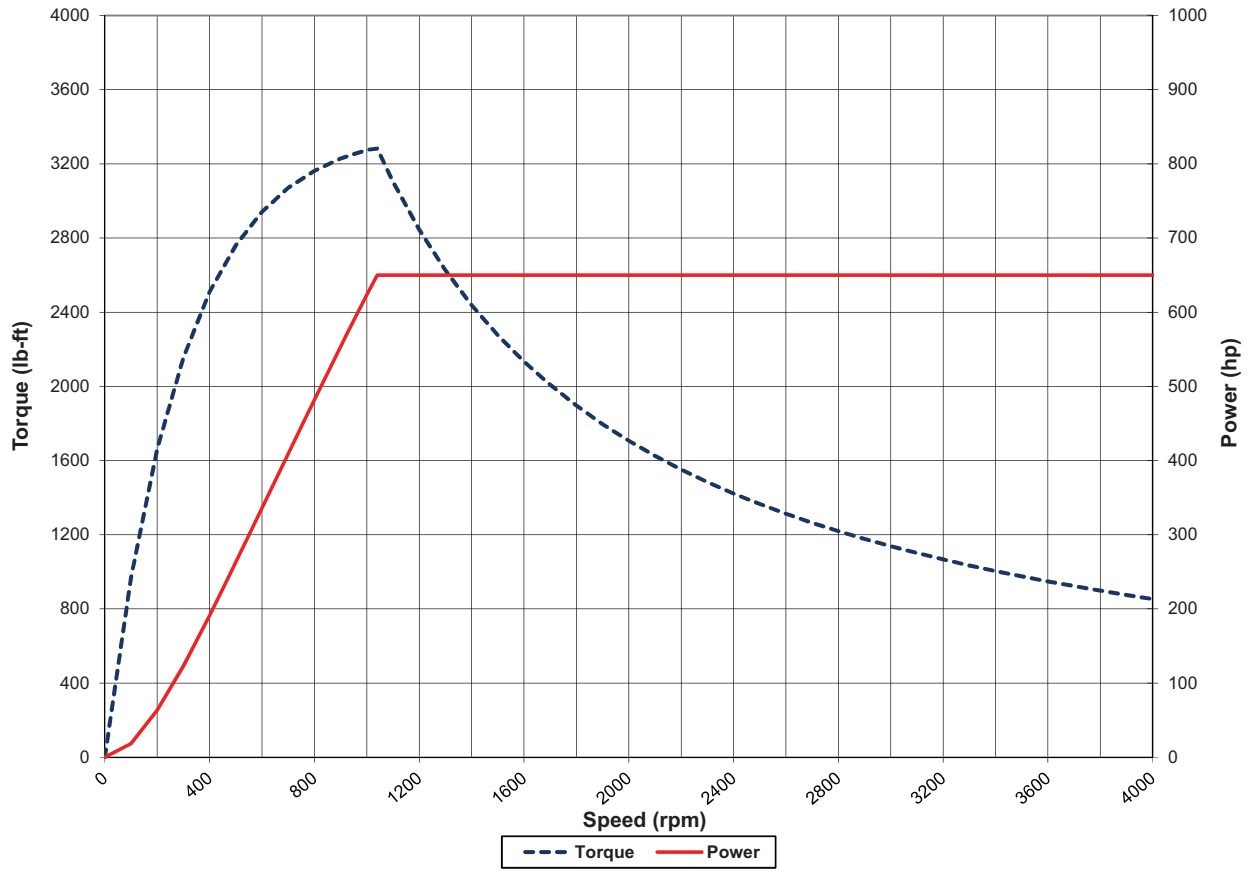


Design, Project & Construction Management Services

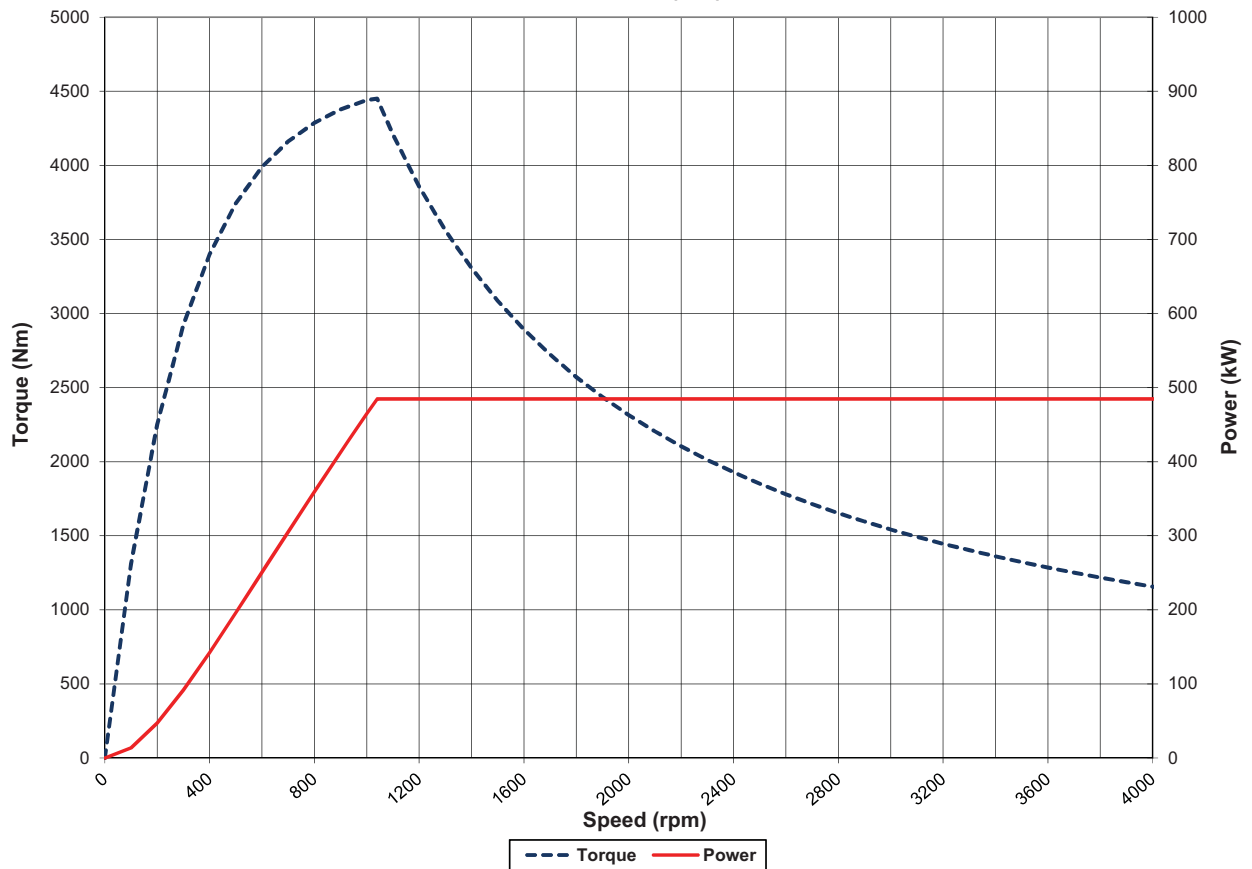


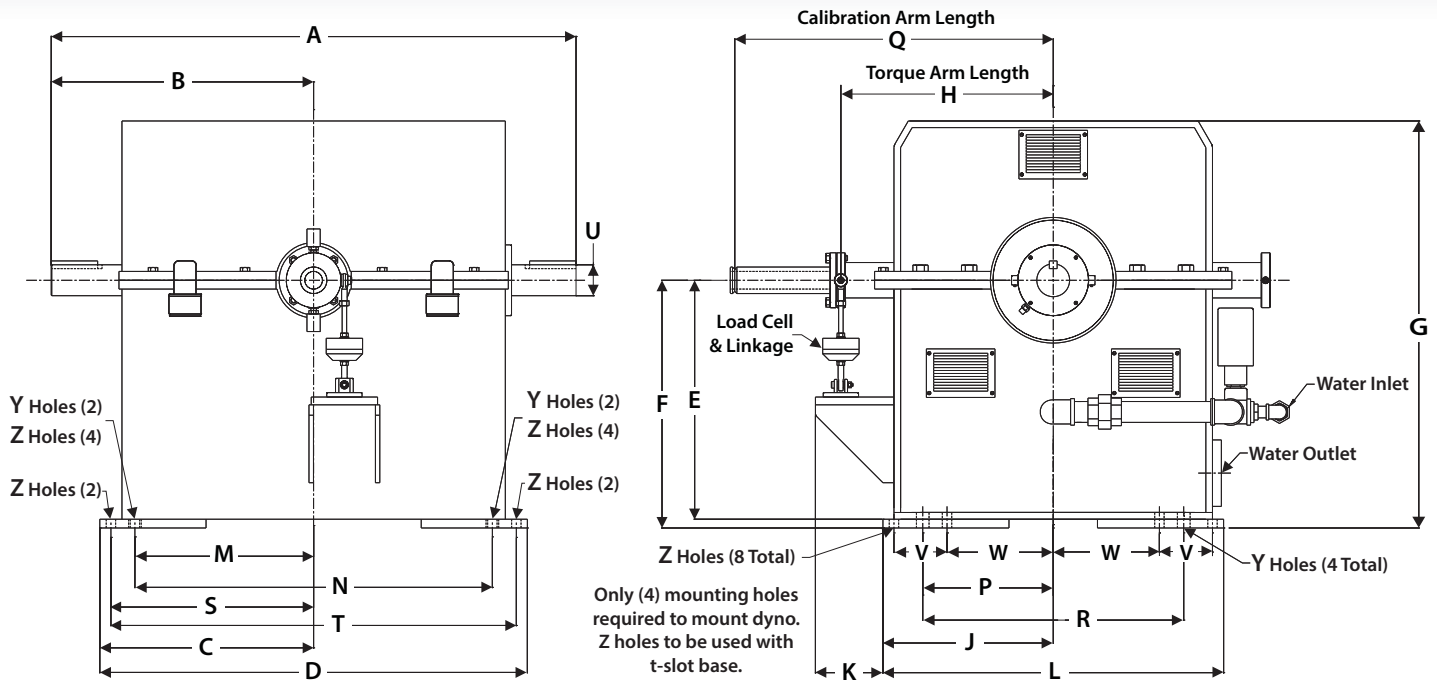
Commissioning, Start-up & Training

DM-8160-TI (US Customary)



DM-8160-TI (S.I.)





Note: Shown without companion flange

Units	A	B	C	D	E	F	G	H	J	K	L	M
<b>US Customary</b>	59.3	29.66	22.2	48.3	26.25	28	46	24	19.25	7.6	38.5	20.2
<b>S.I.</b>	1,506	753	564	1,227	667	711	1,168	610	489	193	978	513

Units	N	P	Q	R	S	T	U	V	W	Y	Z
<b>US Customary</b>	40.4	14.75	36	29.5	22.9	45.8	3.5	6	12	1.44	1.12
<b>S.I.</b>	1,026	375	914	749	582	1,163	89	152	305	37	28

(All dimensions are for new OEM supplied units)

## Standard Included Components

- Load Cell and Linkage
- Cooling Safety Package
- Calibration Arm
- Calibration Weight Hanger
- Companion Flange / Hub Pattern 1810 - US Customary
- Shaft End Guard
- Magnetic Pickup and 60-tooth Gear
- Constant Level Oilers

*Everything you need to succeed*



Dyne Systems is a division of Taylor Dynamometer  
W209 N17391 Industrial Dr., Jackson, WI 53037  
(800) 657-0726 [www.dynesystems.com](http://www.dynesystems.com)

DS2394v001