



## DM-8080 / Engine Dynamometer



Example Model Shown  
(Image may not depict all standard  
included components)

## DM-8080 Eddy Current Dynamometer

### Specifications

Power:	150 hp (112 kW)
Max Torque at Base Speed:	303 lb-ft (411 Nm)
Base Speed:	2,600 rpm
Max. Speed:	9,000 rpm
Construction Type:	Dry Gap
Rotor Inertia:	5.2 lb-ft <sup>2</sup> (0.22 kg-m <sup>2</sup> )
Coolant Required at Max. Power:	15 gpm (56.8 lpm)
Coolant Inlet (Min-Max):	55-100 psi (378-689 kPa)
Coolant Inlet Temperature Max:	90°F (32.2°C)
Shipping Weight (estimate):	1,500 lb (680 kg)
Companion Flange / Hub Pattern:	1410 - US Customary
Coil Voltage / Hot Amperage:	90V / 5.15 amps

### Recommended Accessories

- Driveshaft - 1410
- Torsional Coupling - 1410
- Flywheel Adapter Plate Kit
- Driveshaft Guard
- Sub-Base Kit
- Engine Cart
- Air or Electric Starter
- Charge Air Cooler
- Water Recirculating System

***Everything you need to succeed***

# Optional Accessories



Optional Manual Shaft Lock



Optional Closed Loop Cooling Center



Optional Charge Air Cooler



Optional Driveshaft Guard



Optional Engine Cart

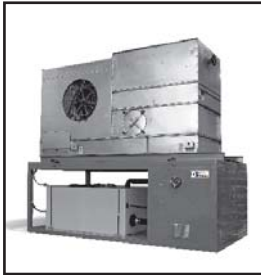
# Various Facility Support Systems and Services Available



Bulk Fuel Storage and Distribution



Coolant Storage and Distribution



Water Recirculation

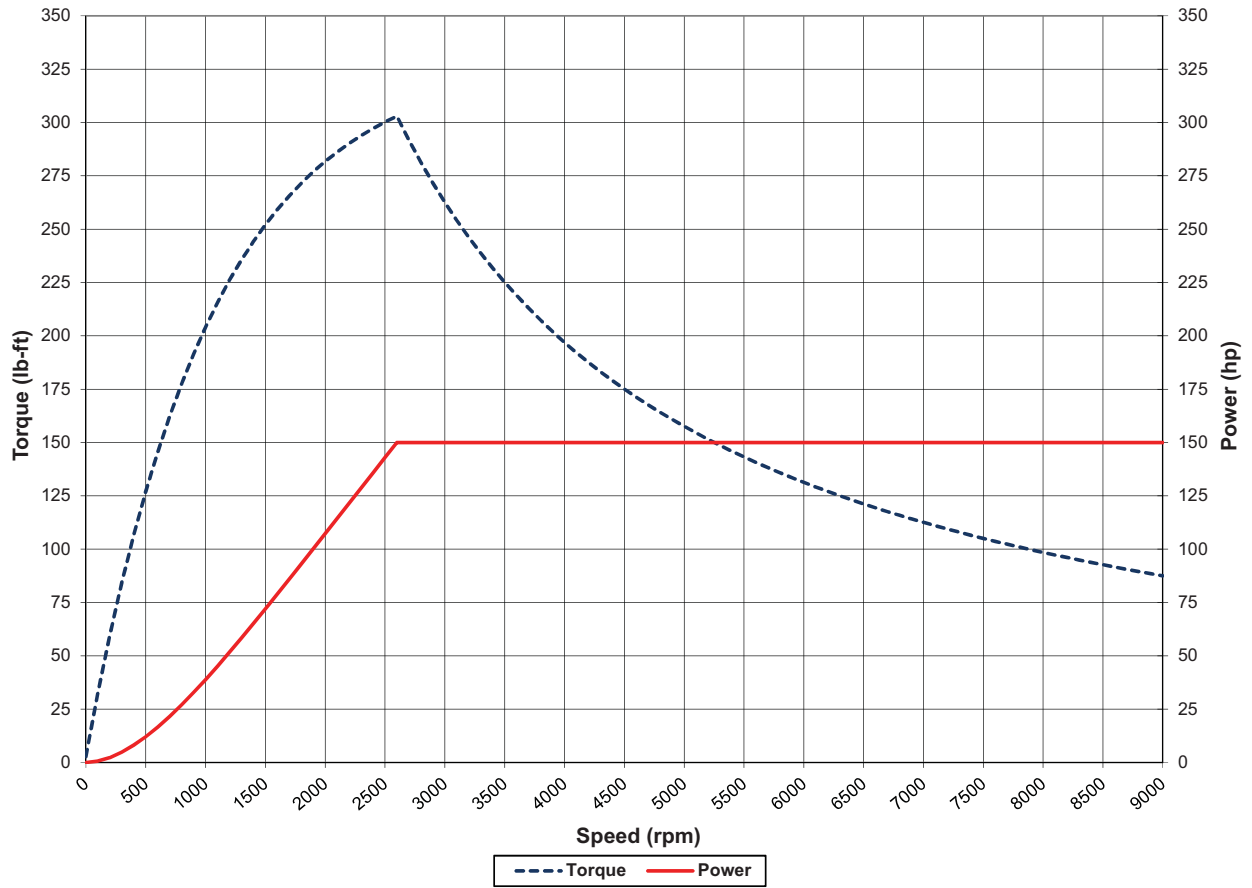


Design, Project & Construction Management Services

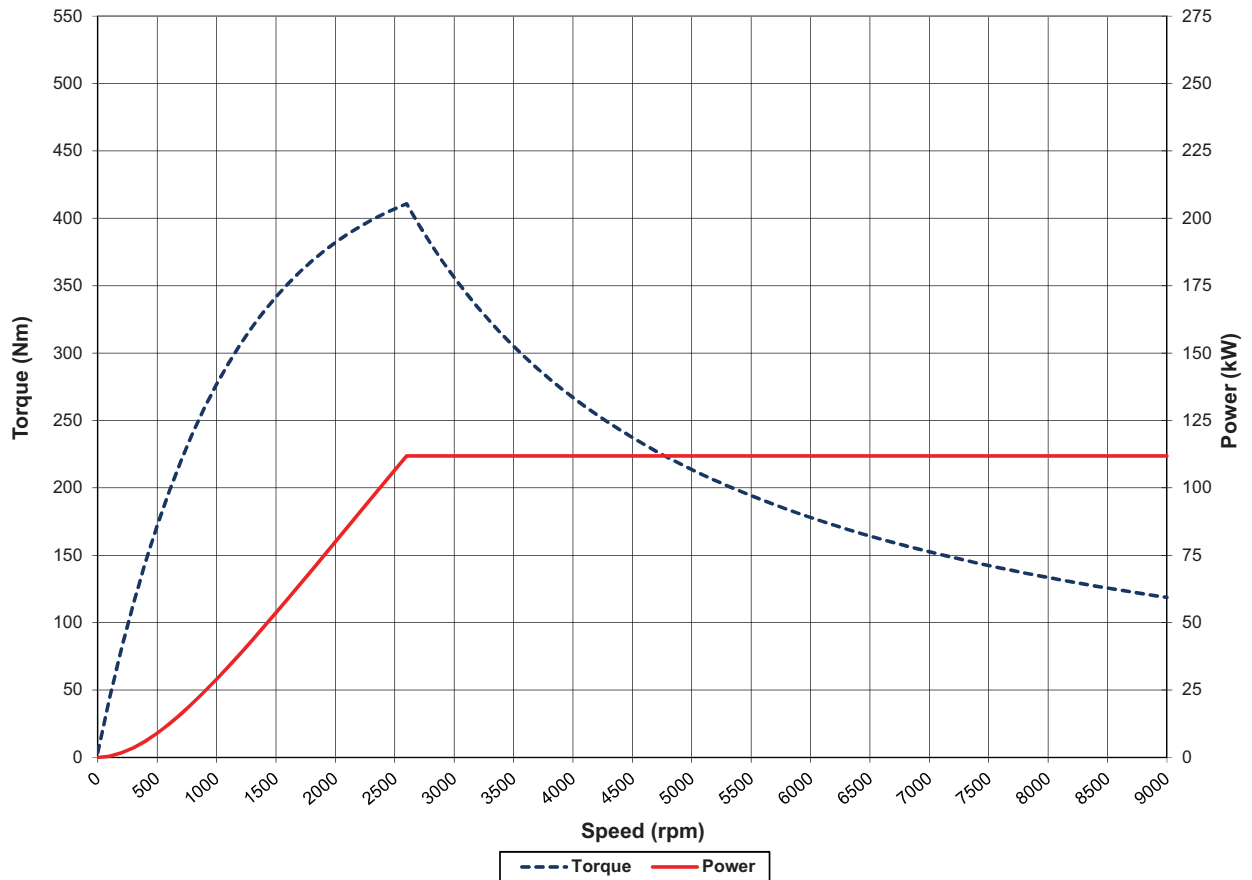


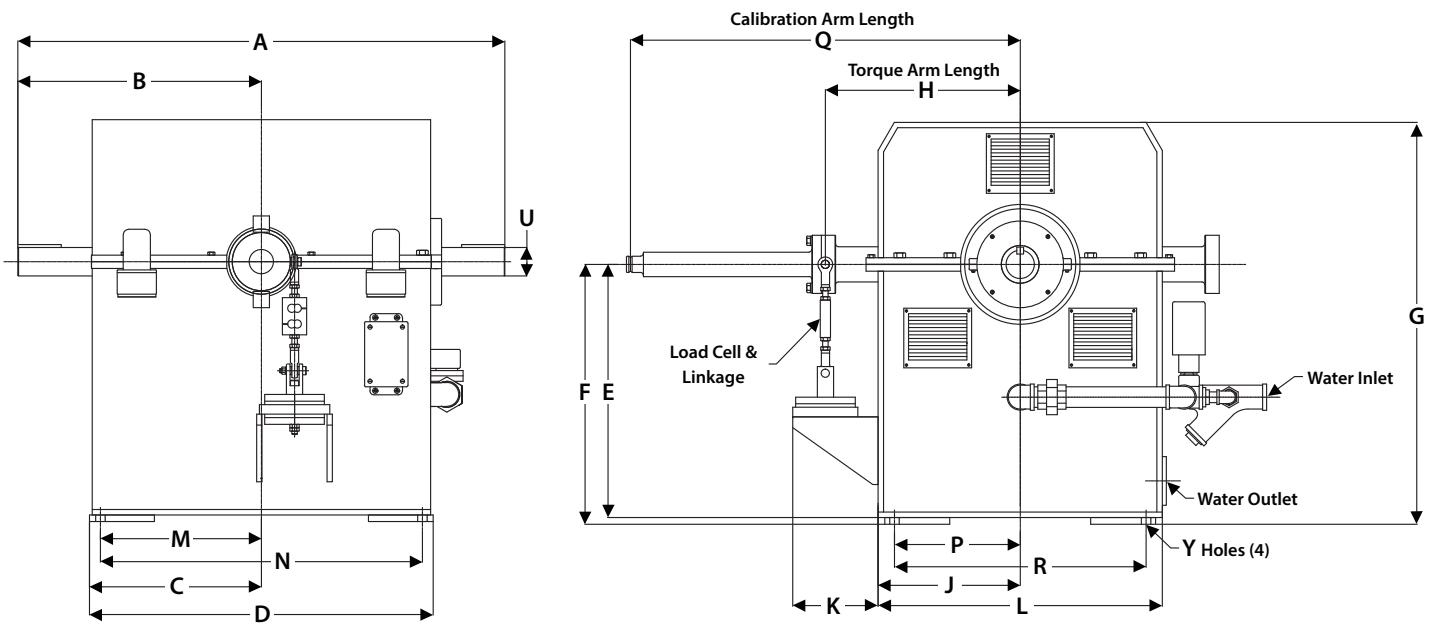
Commissioning, Start-up & Training

DM-8080 (US Customary)



DM-8080 (S.I.)





Note: Shown without companion flange

Units	A	B	C	D	E	F	G	H	J
<b>US Customary</b>	30.4	15.18	11.56	23.12	15.12	16	25.5	13.5	9.5
<b>S.I.</b>	772	386	294	587	384	406	648	343	241

Units	K	L	M	N	P	Q	R	U	Y
<b>US Customary</b>	5.75	19	10.62	21.24	7.5	24	15	1.63	0.56
<b>S.I.</b>	146	483	270	539	191	610	381	41	14

(All dimensions are for new OEM supplied units)

## Standard Included Components

- Load Cell and Linkage
- Cooling Safety Package
- Calibration Arm
- Calibration Weight Hanger
- Companion Flange / Hub Pattern 1410 - US Customary
- Shaft End Guard
- Magnetic Pickup and 60-tooth Gear
- Constant Level Oilers

*Everything you need to succeed*



Dyne Systems is a division of Taylor Dynamometer  
 W209 N17391 Industrial Dr., Jackson, WI 53037  
 (800) 657-0726 [www.dynesystems.com](http://www.dynesystems.com)

DS2359v002