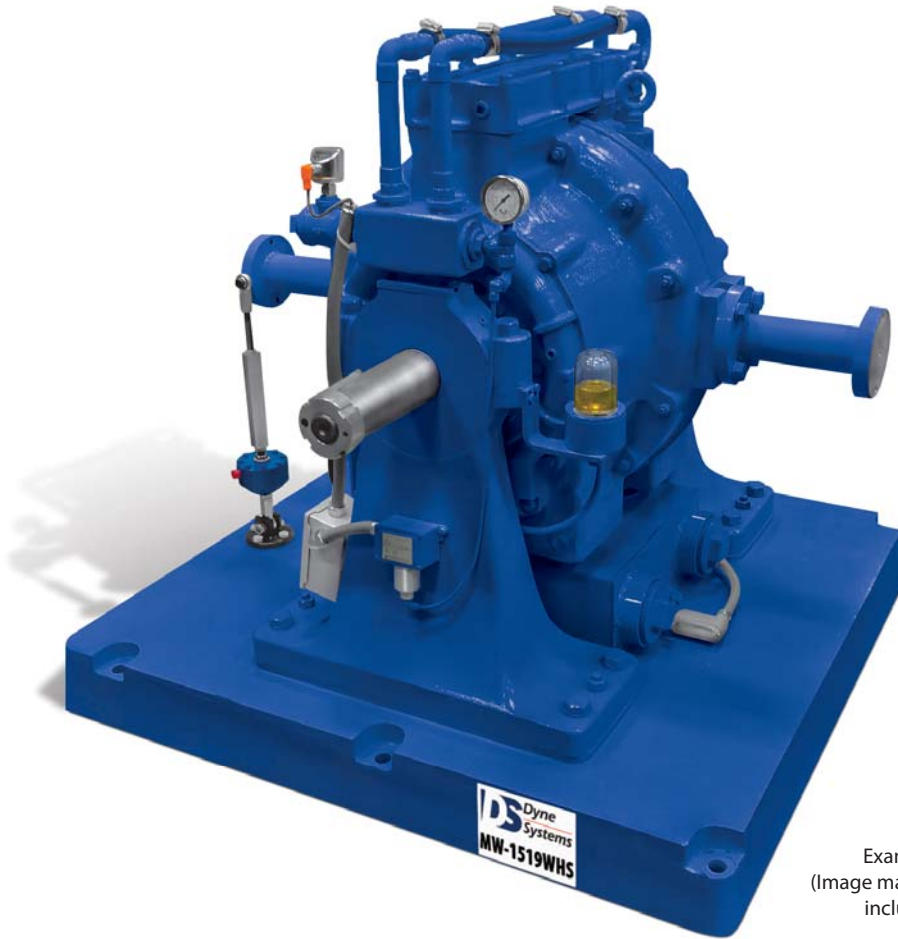




## MW-1519WHS / Engine Dynamometer



Example Model Shown  
(Image may not depict all standard included components)

## MW-1519WHS Eddy Current Dynamometer

### Specifications

Power:	500 hp (373kW)
Max Torque at Base Speed:	2,188 lb-ft (2,967 Nm)
Base Speed:	1,200 rpm
Max. Speed:	6,500 rpm
Construction Type:	Wet Gap
Rotor Inertia:	111 lb-ft <sup>2</sup> (4.68 kg-m <sup>2</sup> )
Coolant Required at Max. Power:	50 gpm (189.3 lpm)
Coolant Inlet (Min-Max):	55-100 psi (378-689 kPa)
Coolant Inlet Temperature Max:	90°F (32.2°C)
Shipping Weight (estimate):	4,800 lb (2,177 kg)
Companion Flange / Hub Pattern:	1810 - US Customary
Coil Voltage / Hot Amperage:	90V / 16.05 amps
Rotation:	bi-directional

### Recommended Accessories

- Driveshaft - 1810
- Torsional Coupling - 1810
- Flywheel Adapter Plate Kit
- Driveshaft Guard
- Sub-Base Kit
- Engine Cart
- Air or Electric Starter
- Engine Cooling Column
- Charge Air Cooler
- Water Recirculating System

***Everything you need to succeed***

## Optional Accessories



Optional Manual  
Shaft Lock



Optional Closed Loop  
Cooling Center



Optional Charge  
Air Cooler



Optional Driveshaft Guard



Optional Engine Cart

---

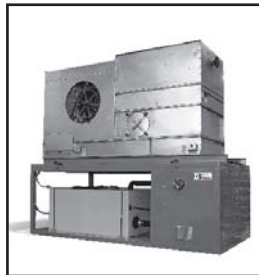
## Various Facility Support Systems and Services Available



Bulk Fuel Storage  
and Distribution



Coolant Storage  
and Distribution



Water  
Recirculation

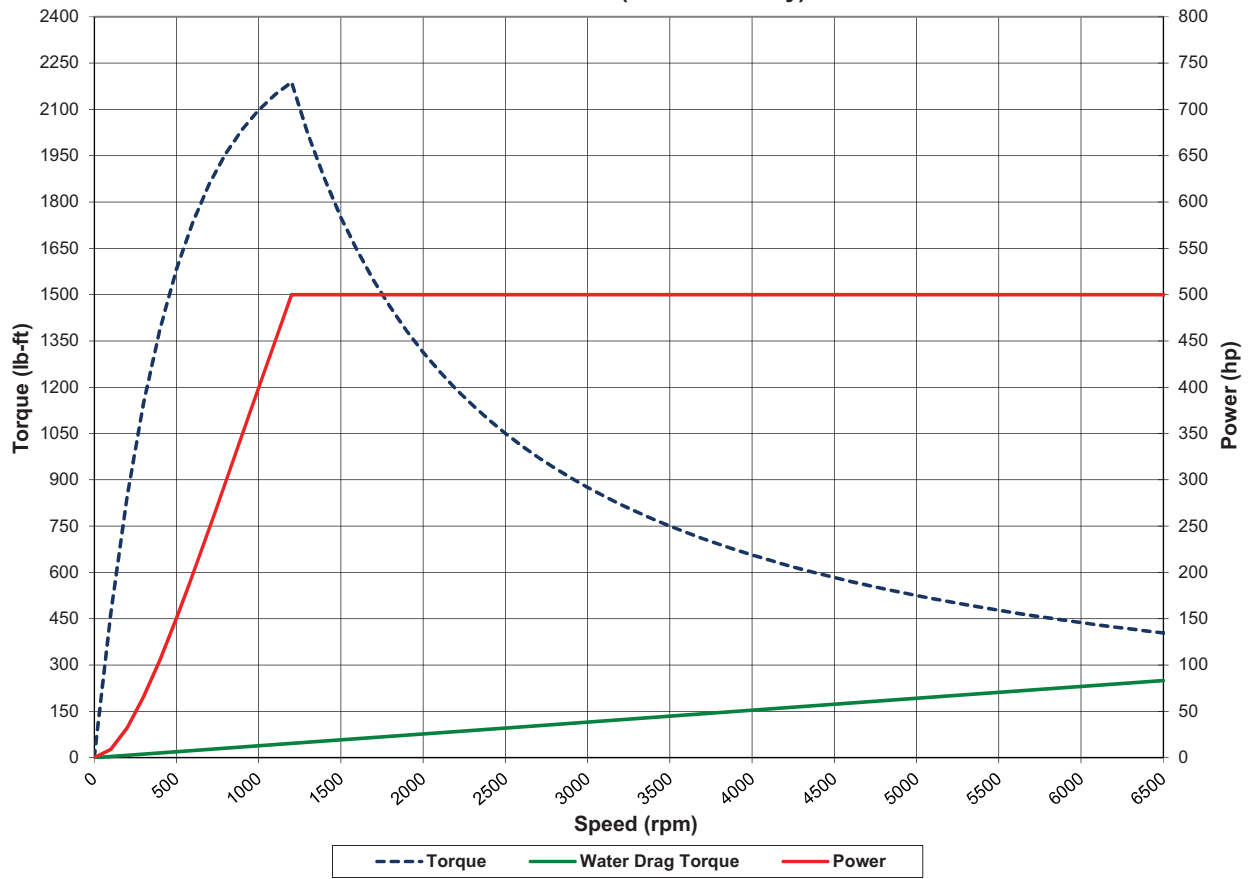


Design, Project  
& Construction  
Management Services

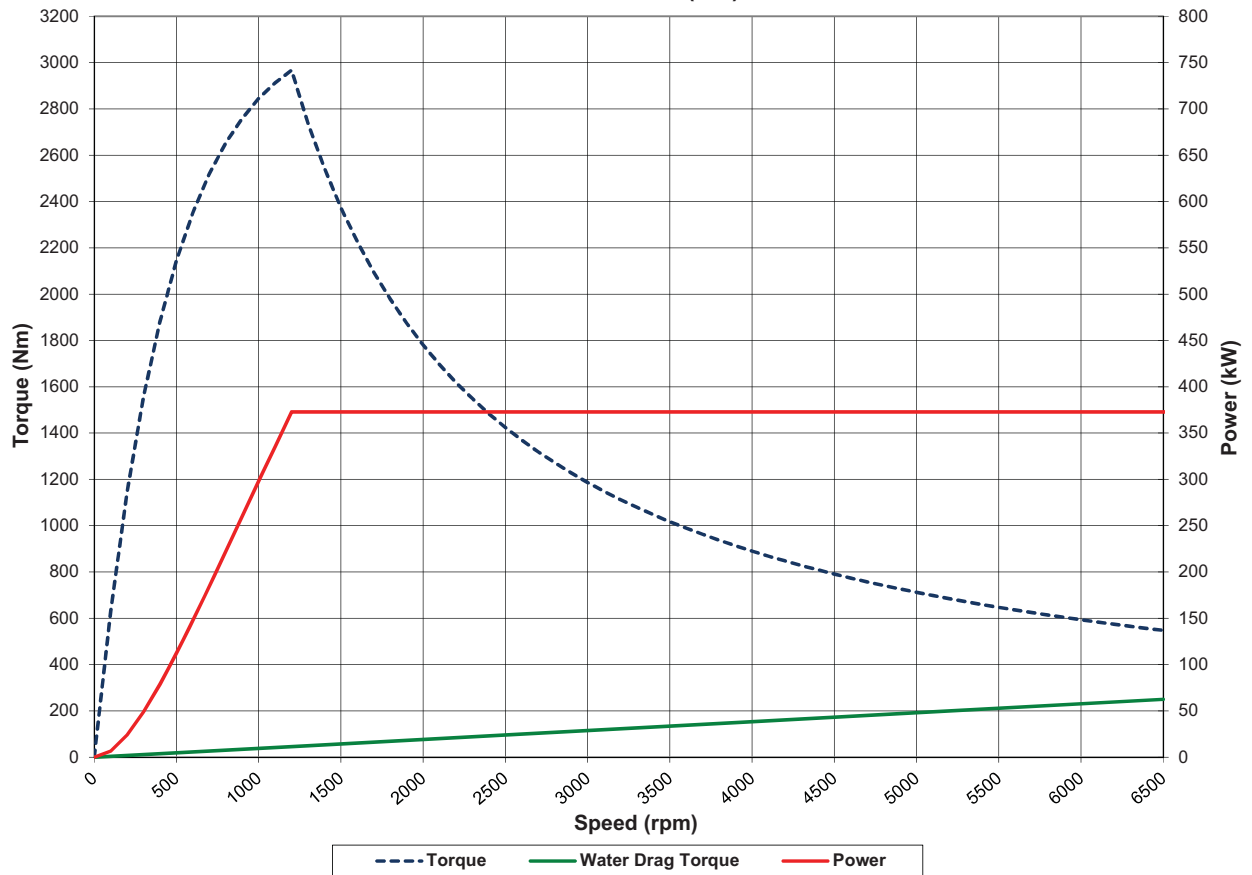


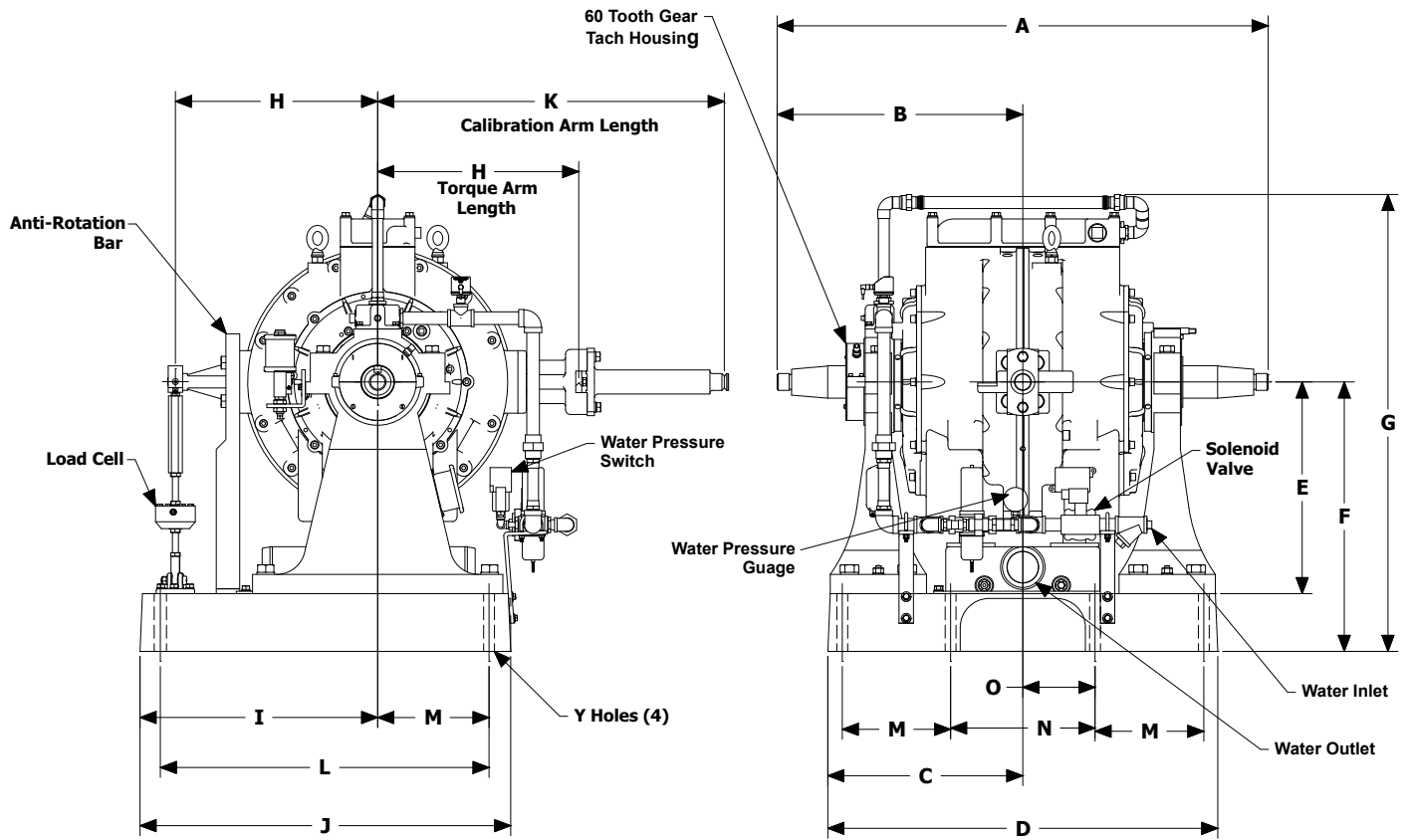
Commissioning,  
Start-up & Training

MW-1519WHS (US Customary)



MW-1519WHS (S.I.)





Note: Shown without companion flange

Units	A	B	C	D	E	F	G	H
US Customary	51	25.5	20.25	40.5	22	28	47	21
S.I.	1,295	648	514	1,029	559	711	1,194	533

Units	I	J	K	L	M	N	O	Y
US Customary	24.75	38.5	36	34	11.25	15	7.5	1.13
S.I.	629	851	941	864	286	381	191	29

(All dimensions are for new OEM supplied units)

## Standard Included Components

- Load Cell and Linkage
- Cooling Safety Package
- Calibration Arm
- Calibration Weight Hanger
- Companion Flange / Hub Pattern 1810 - US Customary
- Shaft End Guard
- Magnetic Pickup and 60-tooth Gear
- Pressurized Re-Circulating Oil System
- Bearing RTDs

*Everything you need to succeed*



Dyne Systems is a division of Taylor Dynamometer  
 W209 N17391 Industrial Dr., Jackson, WI 53037  
 (800) 657-0726 [www.dynesystems.com](http://www.dynesystems.com)

DS2330v001